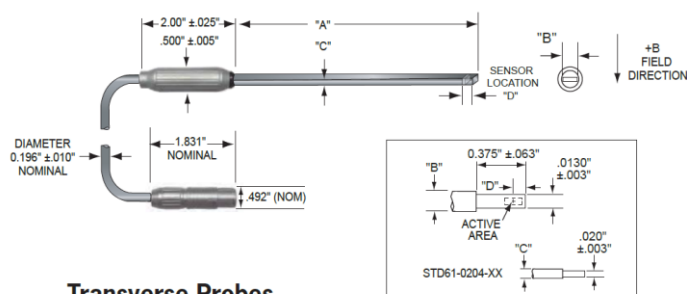


## Gaussmeter probes 6000 series

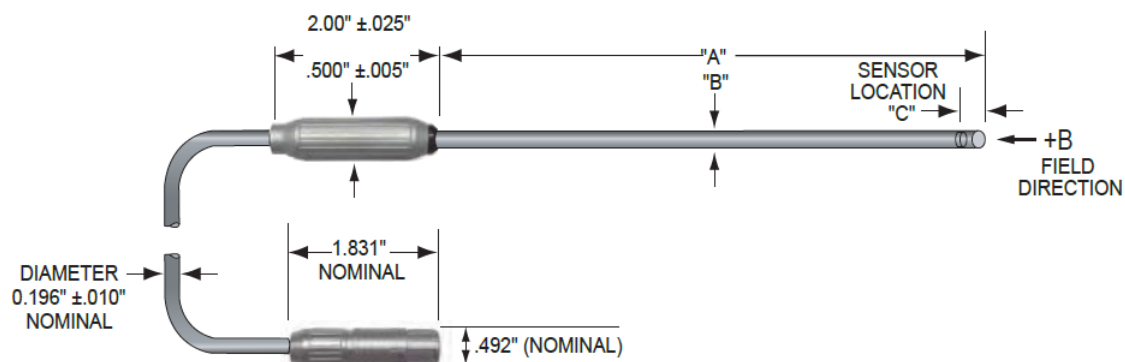


Transverse Probes

### Transverse specifications

| Model           | A  | B                 | C      | D                | Stem               | Linearity      | Frequency       | Sensitivity | Active area |
|-----------------|----|-------------------|--------|------------------|--------------------|----------------|-----------------|-------------|-------------|
| HTD61-0608-05-T | 8" | 0.180"<br>± .003" | 0.06"  | .150"<br>± .02"  | Aluminum           | .5% - 30<br>kG | DC to 20<br>kHz | 1X          | .070" dia.  |
| HTD61-0608-15-T | 8" | 0.180"<br>± .003" | 0.06"  | .150"<br>± .02"  | Aluminum           | .5% - 30<br>Kg | DC to 20<br>kHz | 1X          | .070" dia.  |
| HTD61-0608-30-T | 8" | 0.180"<br>± .003" | 0.06"  | .150"<br>± .02"  | Aluminum           | .5% - 30<br>kG | DC to 20<br>kHz | 1X          | .070" dia.  |
| HTD61-0608-05   | 8" | 0.180"<br>± .003" | 0.06"  | .150"<br>± .02"  | Aluminum           | .5% - 30<br>kG | DC to 20<br>kHz | 1X          | .070" dia.  |
| HTD61-0608-15   | 8" | 0.180"<br>± .003" | 0.06"  | .150"<br>± .02"  | Aluminum           | .5% - 30<br>kG | DC to 20<br>kHz | 1X          | .070" dia.  |
| HTD61-0608-30   | 8" | 0.180"<br>± .003" | 0.06"  | .150"<br>± .02"  | Aluminum           | .5% - 30<br>kG | DC to 20<br>kHz | 1X          | .070" dia.  |
| HTR61-0608-05   | 8" | 0.180"<br>± .003" | 0.06"  | .150"<br>± .02"  | Aluminum           | 1% - 100<br>kG | DC only         | 10X         | .040" dia.  |
| HTR61-0608-15   | 8" | 0.180"<br>± .003" | 0.06"  | .150"<br>± .02"  | Aluminum           | 1% - 100<br>kG | DC only         | 10X         | .040" dia.  |
| HTR61-0608-30   | 8" | 0.180"<br>± .003" | 0.06"  | .150"<br>± .02"  | Aluminum           | 1% - 100<br>kG | DC only         | 10X         | .040" dia.  |
| STD61-0404-05   | 4" | 0.158"<br>± .004" | 0.045" | .150"<br>± .02"  | Polypropylene      | .5% - 30<br>kG | DC to 20<br>kHz | 1X          | .070" dia.  |
| STD61-0404-15   | 4" | 0.158"<br>± .004" | 0.045" | .150"<br>± .02"  | Polypropylene      | .5% - 30<br>kG | DC to 20<br>kHz | 1X          | .070" dia.  |
| STD61-0404-30   | 4" | 0.158"<br>± .004" | 0.045" | .150"<br>± .02"  | Polypropylene      | .5% - 30<br>kG | DC to 20<br>kHz | 1X          | .070" dia.  |
| STD61-0402-05   | 2" | 0.158"<br>± .004" | 0.045" | .150"<br>± .02"  | Polypropylene      | .5% - 30<br>kG | DC to 20<br>kHz | 1X          | .070" dia.  |
| STD61-0402-15   | 2" | 0.158"<br>± .004" | 0.045" | .150"<br>± .02"  | Polypropylene      | .5% - 30<br>kG | DC to 20<br>kHz | 1X          | .070" dia.  |
| STD-0204-05     | 4" | 0.155"<br>± .005" | 0.04"  | .130"<br>± .008" | Flexible<br>rubber | .5% - 30<br>kG | DC to 20<br>kHz | 1X          | .070" dia.  |
| STD-0204-15     | 4" | 0.155"<br>± .005" | 0.04"  | .130"<br>± .008" | Flexible<br>rubber | .5% - 30<br>kG | DC to 20<br>kHz | 1X          | .070" dia.  |

## Gaussmeter probes 6000 series



### Axial Probes

#### Axial specifications

| Model           | A  | B                 | C      | Stem           | Linearity      | Frequency       | Sensitivity | Active area |
|-----------------|----|-------------------|--------|----------------|----------------|-----------------|-------------|-------------|
| HAD61-2508-05-T | 8" | 0.250"<br>± .005" | 0.015" | Aluminum       | .5% - 30<br>kG | DC to 20<br>kHz | 1X          | .030" dia.  |
| HAD61-2508-30-T | 8" | 0.250"<br>± .005" | 0.015" | Aluminum       | .5% - 30<br>kG | DC to 20<br>kHz | 1X          | .030" dia.  |
| HAD61-2508-05   | 8" | 0.250"<br>± .005" | 0.015" | Aluminum       | .5% - 30<br>kG | DC to 20<br>kHz | 1X          | .030" dia.  |
| HAD61-2508-15   | 8" | 0.250"<br>± .005" | 0.015" | Aluminum       | .5% - 30<br>kG | DC to 20<br>kHz | 1X          | .030" dia.  |
| HAD61-2508-30   | 8" | 0.250"<br>± .005" | 0.015" | Aluminum       | .5% - 30<br>kG | DC to 20<br>kHz | 1X          | .030" dia.  |
| SAR61-1802-05   | 2" | 0.180"<br>± .005" | 0.015" | Rigid phenolic | 1% - 100<br>kG | DC to 20<br>kHz | 1X          | .030" dia.  |
| SAR61-1802-15   | 2" | 0.180"<br>± .005" | 0.015" | Rigid phenolic | 1% - 100<br>kG | DC only         | 10X         | .030" dia.  |
| SAR61-1802-30   | 2" | 0.180"<br>± .005" | 0.015" | Rigid phenolic | 1% - 100<br>kG | DC only         | 10X         | .030" dia.  |