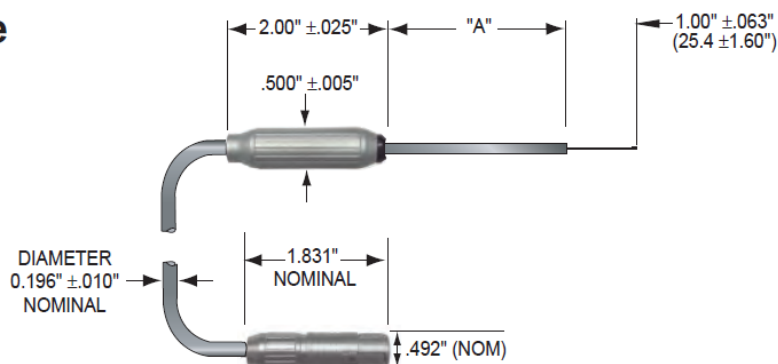


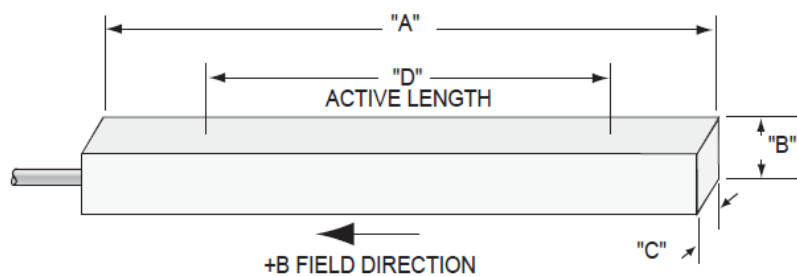
Gaussmeter probes 6000 series

Ultra Thin Hall-Effect Probe



Ultra-thin specifications

Model	A	B	Stem	Linearity	Frequency	Sensitivity	Active area
STD61-0202-05	2"	$.155 \pm .005$ "	Rigid glass epoxy & Kapton tip	.5% - 30 kG	DC to 200 kHz	1X	.005" dia.
STD61-0202-15	2"	$.155 \pm .005$ "	Rigid glass epoxy & Kapton tip	.5% - 30 kG	DC to 200 kHz	1X	.005" dia.
STD61-0202-30	2"	$.155 \pm .005$ "	Rigid glass epoxy & Kapton tip	.5% - 30 kG	DC to 200 kHz	1X	.005" dia.



Magnaprobe specifications

Model	A	B	C	Stem	Linearity	Frequency	Sensitivity	Active area
MOW61-2506-05	9"	$.48 \pm .03$ "	0.25"	Lexan	4% - 2 G	DC to 400 Hz	.01X	1.5" dia.
MOW61-2506-15	9"	$.48 \pm .03$ "	0.25"	Lexan	4% - 2 G	DC to 400 Hz	.01X	1.5" dia.
MOW61-2506-30	9"	$.48 \pm .03$ "	0.25"	Lexan	4% - 2 G	DC to 400 Hz	.01X	1.5" dia.