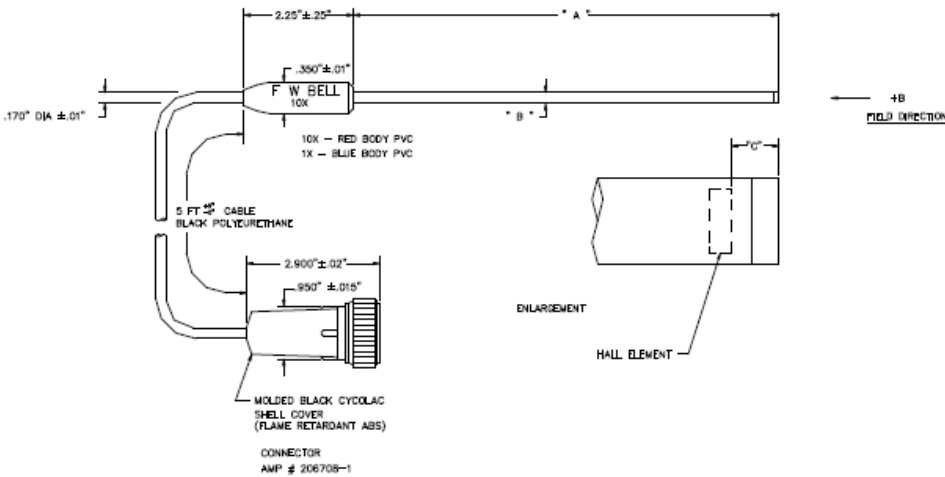


## Gaussmeter probes 9900 series



The fourth generation axial probes are precision, solid state magnetic field sensors designed for use with the F.W. Bell gaussmeters to provide stable and repeatable axial magnetic field measurements.

These units feature ruggedized construction combined with a balanced, light weight design suitable for manual or fixture applications. They offer a variety of Hall effect sensors available in graduated stem types and lengths to provide the physical and electrical characteristics required for the great majority of axial field measurements.

### Contact

OECO  
4607 SE International Way  
Milwaukie, OR 97222  
USA

Tel: +1 (503) 659-5999

[www.meggitt.com](http://www.meggitt.com)

[www.fwbell.com](http://www.fwbell.com)

[www.oeco.com](http://www.oeco.com)

## Gaussmeter probes 9900 series

### Axial specifications

<u>Model</u>	<u>A</u>	<u>B</u>	<u>Stem</u>	<u>Frequency</u>	<u>Sensitivity</u>	<u>Active area</u>
SAA99-0602	2"	0.060" ± .002"	Aluminum	DC to 10 kHz	1X	.020" dia.
SAA99-0608	8"	0.060" ± .002"	Aluminum	DC to 10 kHz	1X	.020" dia.
SAA99-0618	18"	0.060" ± .002"	Aluminum	DC to 10 kHz	1X	.020" dia.
SAA99-0802	2"	0.080" ± .003"	Aluminum	DC to 10 kHz	1X	.020" dia.
SAA99-0808	8"	0.080" ± .003"	Aluminum	DC to 10 kHz	1X	.020" dia.
SAA99-0818	18"	0.080" ± .003"	Aluminum	DC to 10 kHz	1X	.020" dia.
SAA99-0836	36"	0.080" ± .003"	Aluminum	DC to 10 kHz	1X	.020" dia.
SAA99-1202	2"	.120" ± .002"	Aluminum	DC to 10 kHz	1X	.020" dia.
SAA99-1208	8"	.120" ± .002"	Aluminum	DC to 10 kHz	1X	.020" dia.
SAA99-1218	18"	.120" ± .002"	Aluminum	DC to 10 kHz	1X	.020" dia.
SAA99-1236	36"	.120" ± .002"	Aluminum	DC to 10 kHz	1X	.020" dia.
SAF99-1802	2"	.180" ± .002"	Aluminum	DC to 10 kHz	1X	.030" dia.
SAF99-1808	8"	.180" ± .002"	Aluminum	DC to 10 kHz	1X	.030" dia.
SAF99-1818	18"	.180" ± .002"	Aluminum	DC to 10 kHz	1X	.030" dia.
SAF99-1836	36"	.180" ± .002"	Aluminum	DC to 10 kHz	1X	.030" dia.
SAM99-1802	2"	.180" ± .002"	Aluminum	DC only	10X	.030" dia.
SAM99-1808	8"	.180" ± .002"	Aluminum	DC only	10X	.030" dia.
SAM99-1818	18"	.180" ± .002"	Aluminum	DC only	10X	.030" dia.
SAM99-1836	36"	.180" ± .002"	Aluminum	DC only	10X	.030" dia.
SAR99-1802	2"	.180" ± .002"	Aluminum	DC only	10X	.030" dia.
SAR99-1808	8"	.180" ± .002"	Aluminum	DC only	10X	.030" dia.
SAR99-1816	18"	.180" ± .002"	Aluminum	DC only	10X	.030" dia.
SAR99-1836	36"	.180" ± .002"	Aluminum	DC only	10X	.030" dia.
SAF99-2502	2"	.250" ± .005"	Aluminum	DC to 5 kHz	1X	.030" dia.
SAF99-2508	8"	.250" ± .005"	Aluminum	DC to 5 kHz	1X	.030" dia.
SAF99-2518	18"	.250" ± .005"	Aluminum	DC to 5 kHz	1X	.030" dia.
SAF99-2536	36"	.250" ± .005"	Aluminum	DC to 5 kHz	1X	.030" dia.
HAM99-2502	2"	.250" ± .005"	Aluminum	DC only	10X	.030" dia.
HAM99-2508	8"	.250" ± .005"	Aluminum	DC only	10X	.030" dia.
HAM99-2518	18"	.250" ± .005"	Aluminum	DC only	10X	.030" dia.
HAM99-2536	36"	.250" ± .005"	Aluminum	DC only	10X	.030" dia.
HAR99-2502	2"	.250" ± .005"	Aluminum	DC only	10X	.030" dia.
HAR99-2508	8"	.250" ± .005"	Aluminum	DC only	10X	.030" dia.
HAR99-2518	18"	.250" ± .005"	Aluminum	DC only	10X	.030" dia.
HAR99-2536	36"	.250" ± .005"	Aluminum	DC only	10X	.030" dia.
CAP99-2560	60"	.250" ± .005"	Stainless steel	DC only	10X	.030" dia.
CAU99-2560	60"	.250" ± .005"	Stainless steel	DC only	10X	.030" dia.
PAA99-1908	8"	.187" ± .005"	Phenolic	0 to 50 kHz	1X	.040" dia.