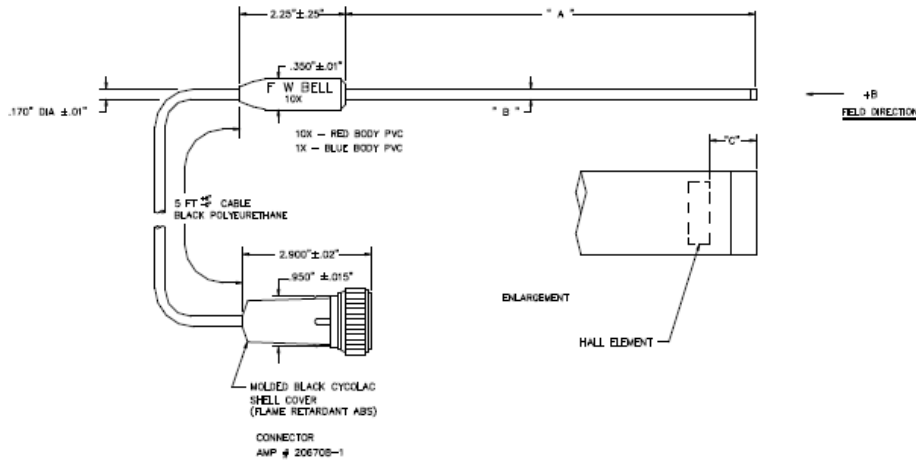


Gaussmeter probes 9200 series



Axial specifications

	SAB92-1802	HAB92-2508
A	2"	8"
B	.180" ± .004"	.250" ± .005"
C	.015" ± .010"	.015" ± .010"
Stem material	Aluminum	
Corrected linearity	1% / 10 kG	
Sensitivity	1X	
Active area	.030 dia. nominal	
Operating temperature range	0 to 75 °C	
Temperature stability – zero	±0.09 Gauss / °C	
Temperature stability – calibrate	-0.04 % / °C	
Frequency response	DC to 5 kHz	

Contact

OECO
 4607 SE International Way
 Milwaukie, OR 97222
 USA

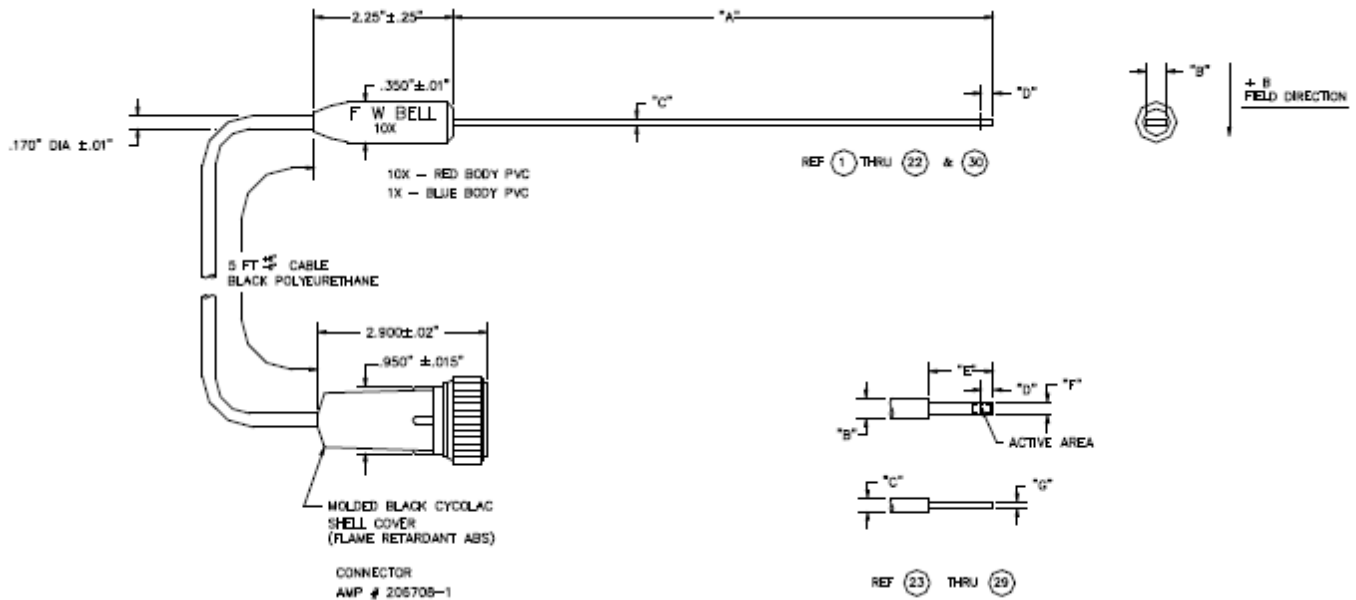
Tel: +1 (503) 659-5999

www.meggitt.com

www.fwbell.com

www.oeco.com

Gaussmeter probes 9200 series



Transverse specifications

	STB92-0404	STG92-0404	HTB92-0608	STB92-0204
A $\pm .063"$	4"	4"	8"	4"
B	$0.150" \pm .004"$	$0.150" \pm .004"$	$0.180" \pm .003"$	$.155" \pm .005"$
C	$.040 \pm .004$	$.040 \pm .004$	$.060 \pm .004$	$.040 \pm .002$
Stem material	Rigid glass epoxy	Rigid glass epoxy	Aluminum	Flexible rubber
Corrected linearity	1% to 10 kG	2% to 30 kG	1% to 10 kG	1% to 10 kG
Sensitivity	1X			
Active area	0.070" DIA nominal			
Operating temperature range	$0^\circ \text{ C to } 75^\circ \text{ C}$			
Temperature stability – zero	$\pm 0.09 \text{ Gauss} / ^\circ \text{ C}$			
Temperature stability – calibrate	$-0.04 \% / ^\circ \text{ C}$			
Frequency response	DC to 5 kHz			