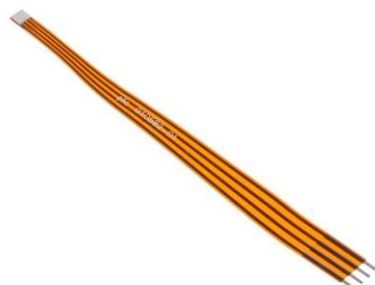


Hall sensors

Thin Film FH-301/500 series



Contact

OECO
 4607 SE International Way
 Milwaukie, OR 97222
 USA

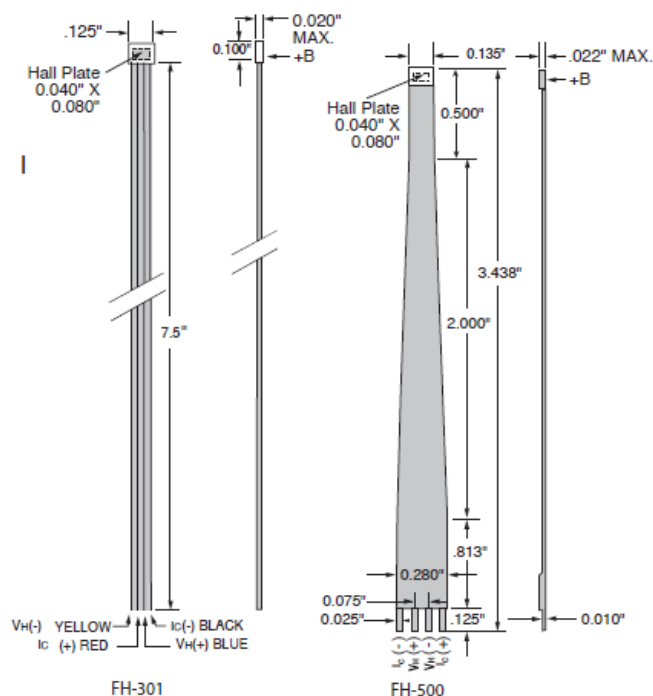
Tel: +1 (503) 659-5999

www.meggitt.com

www.fwhell.com

www.oeco.com

The FH-301 and FH-500 series Hall sensors are miniature solid state Hall effect magnetic field sensing devices. The FH-500 series uses a lead strip which is comprised of printed circuit leads encased in DuPont's Kapton and terminating in contacts on 0.075 centers. This flexible and tough lead strip can be made in a variety of configurations. The model FH-301 has conventional wire leads.



NOTE: All tolerances unless specified are $\pm 0.010''$

Meggitt Sensing Systems

Our product competencies and services:
 Avionics displays | Inertial sensors | Ignition systems | Performance Sensing | Power & Motion | Sensing & Monitoring

MEGGITT
 smart engineering for
 extreme environments



Hall sensors SH series

Specifications

Model:	FH-301-020 / FH-520	FH-301-040 / FH-540
Input resistance	20 to 40 ohms	40 to 80 ohms
Output resistance	28 to 120 ohms	56 to 240 ohms
Magnetic sensitivity	10 min. mV/kG	12 min. mV/kG
Maximum resistive residual voltage	2 mV	4 mV
Maximum control current, static air	50 mA	30 mA
Nominal control current	25 mA	15 mA
Mean temperature coefficient of V_H		-0.1 max %/°C
Mean temperature coefficient of resistance		0.1 max %/°C
Temperature dependence of resistive residual voltage		10 max μ V/°C
Operating temperature		-40 to 125 °C
Storage temperature		-40 to 150 °C

Note: Due to continuous process improvement, specifications are subject to change without notice.