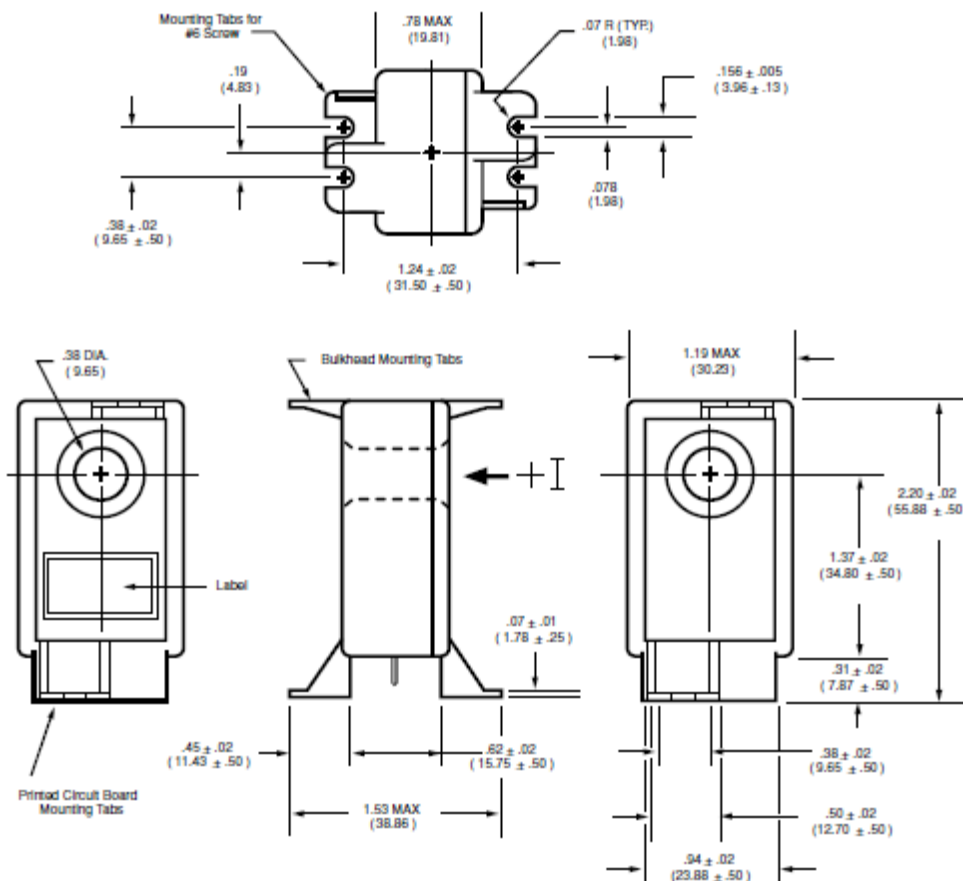


# Current sensors IHA series



The IHA Hall effect current sensors accurately measure DC and AC currents and provide electrical isolation between the output of the sensor and the current carrying conductor.

## Model IHA-25/IHA-100



## Features

- High accuracy
- Wide frequency range
- Excellent linearity
- Safety isolation
- Rack and bulkhead
- Light duty plastic housing
- 

## Applications

- Motor controllers and drives
- Battery supplied equipment
- Switch mode and uninterruptable power supplies
- Welding equipment

## Contact

OECO  
 4607 SE International Way  
 Milwaukie, OR 97222  
 USA

Tel: +1 (503) 659-5999

[www.meggitt.com](http://www.meggitt.com)

[www.fwbell.com](http://www.fwbell.com)

[www.oeco.com](http://www.oeco.com)



# Current sensors

## IHA series

### Specifications

<b>Model:</b>	<b>IHA-25</b>	<b>IHA-100</b>	<b>IHA-150</b>
Full scale AC or DC peak	25 A	100 A	150 A
Full scale output	1 V	5 V	5 V
AC bandwidth		50 kHz	
Slew rate		>150 A/μs	
Supply voltage		12 to 17 V	
Maximum supply current, positive supply		10 mA	
Maximum supply current, negative supply		5 mA	
Sensitivity	40 mV/A	50 mV/A	33.3 mV/A
Linearity		< 1% full scale	
Calibration point		0.5% RDG	
Typical zero current offset		10 mV	
Maximum zero current offset		20 mV	
Maximum hysteresis of offset	7 mV	35 mV	35 mV
Minimum load resistance		> 10k Ω	
Dielectric test		6 kV	
Output short or open circuit		No damage	
Operating temperature		0 to 75 °C	
Storage temperature		-25 to 85 °C	
Package		Flame retardant plastic case	
Weight	25.9 g	25.9 g	94 g
Aperture opening	0.38 in. (9.65 mm)	0.38 in. (9.65 mm)	0.84 in. (21.33 mm)

Note: Due to continuous process improvement, specifications are subject to change without notice