

Current sensors

CS-150 and CSS-150



The CS-150 and CS-150 models detect AC current from 1 to 150 amps and provide a solid state switched output when the current exceeds the adjustable trip point. Adjustment is made by a multi-turn trim pot. A flashing LED gives visual indication of the trip point. The CSS-150 clamps over existing wiring for easy installation.

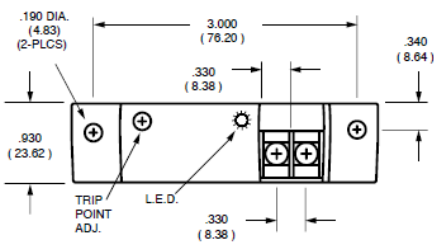
Features

- Adjustable trip range from 1 to 150 A
- Simple two wire connection
- Split core for easy installation
- Built in LED status light
- Switch rated 1 to 135 V

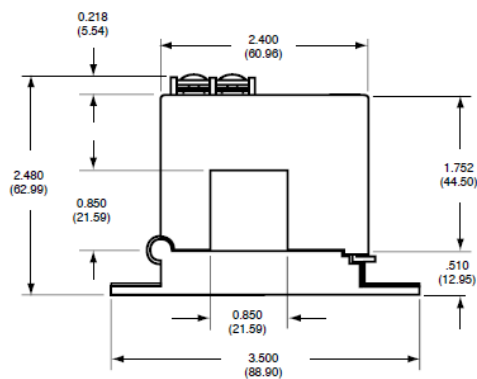
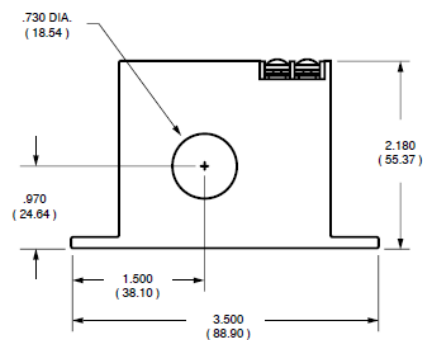
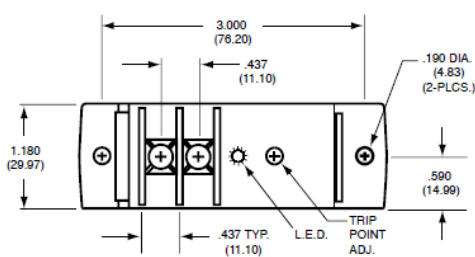
Applications

- Sense broken belts on motors
- Detect open heater strips
- Sense clogged air filters
- Detect burned out navigation lights
- Operational status of fans, motors, and pumps

CS-150



CSS-150



Contact

OECO
 4607 SE International Way
 Milwaukie, OR 97222
 USA

Tel: +1 (503) 659-5999

www.meggitt.com

www.fwbell.com

www.oeco.com

Meggitt Sensing Systems

Our product competencies and services:
 Avionics displays | Inertial sensors | Ignition systems | Performance Sensing | Power & Motion | Sensing & Monitoring

MEGGITT
 smart engineering for
 extreme environments



Current sensors

CS-150 and CSS-150

Specifications

Model:	CS-150	CSS-150
Detection range	1-150 A	1.5-150 A
Hysteresis at 1 A setting		50 mA
Hysteresis at 50 A setting		2.5 A
Hysteresis at 150 A setting		7.5 A
Frequency range		6 to 100 Hz
Switch contacts, voltage range		1 to 135 V AC/DC
Switch contacts, maximum current		0.3 A AC/DC
Response time		250 ms
Over range capability, 400 A		6 seconds
Over range capability, 1000 A		1 second
UL voltage rating		1250 V
Operating temperature		-50° C to 65° C
Mounting		Panel mount via two #6 screws
Aperture opening	0.73 in. (18.5 mm)	0.85 in. (21.6 mm)
Weight	98 g	121 g

Note: Due to continuous process improvement, specifications are subject to change without notice