

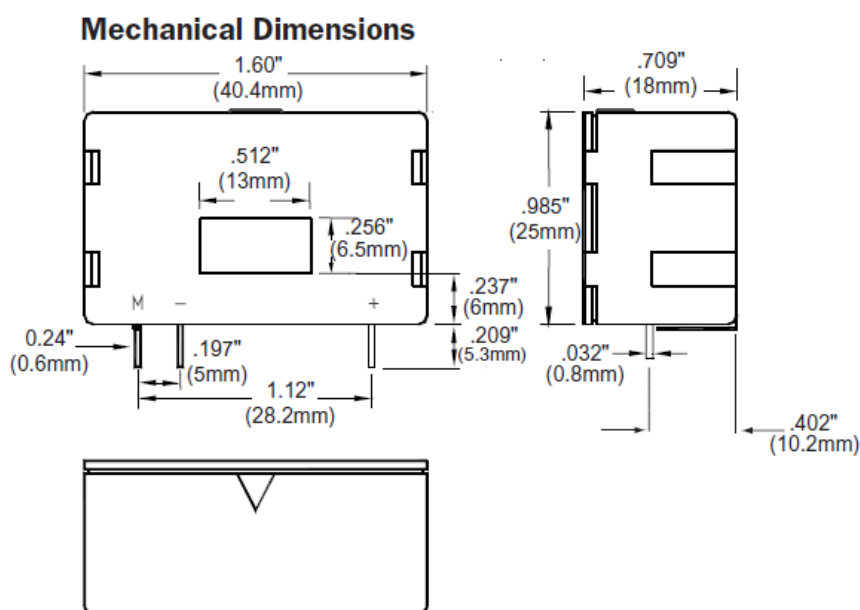
Current sensors

CLSM- 50 series



The CLSM models are closed loop Hall effect current sensors that accurately measure DC and AC currents and provide electrical isolation between the current carrying conductor and the output of the sensor.

CLSM-50



Features

- Noncontact measurement of high current
- High overload capacity
- Fast response
- High accuracy
- Measure AC, DC, and pulse currents

Applications

- Variable speed motors
- Welding equipment
- Power supply equipment
- Measure and control system
- Over current protection
- Protection of power semiconductors

Contact

OECO
 4607 SE International Way
 Milwaukie, OR 97222
 USA

Tel: +1 (503) 659-5999

www.meggitt.com

www.fwbell.com

www.oeco.com



Current sensors

CLSM- 50 series

Specifications

| Model: | CLSM-50 | CLSM-50LA | CLSM-50S | CLSM-50MT |
|----------------------------------|---------------|--------------------------------------------------------|------------------------------|----------------|
| Nominal current | | | 50 A | |
| Current range | 0 to 400 A | 0 to 100 A | 0 to 100 A | 0 to 100 A |
| Nominal output current | | | 50 mA | |
| Turns ratio | | | 1000/1 | |
| Overall accuracy at 25 °C | | | ±0.5% | |
| Supply voltage | 12 to 18 V DC | 15 to 18 V DC | 12 to 18 V DC | 15 to 18 V DC |
| Current consumption | | | 15 mA + output current | |
| Zero current offset at 25 °C | | | < 0.2 mA | |
| Offset current temperature drift | < 0.25 mA | < 0.3 mA | < 0.3 mA | < 0.3 mA |
| Linearity | | | >0.1% | |
| Response time | 1 µs | 0.5 µs | 0.5 µs | 0.5 µs |
| Frequency range | DC to 100 kHz | DC to 200 kHz | DC to 200 kHz | DC to 250 kHz |
| Operating temperature | -25 to 85 °C | -40 to 85 °C | -25 to 85 °C | -25 to 85 °C |
| Storage temperature | -40 to 100 °C | -40 to 90 °C | -25 to 90 °C | -40 to 100 °C |
| Package | | | Flame retardant plastic case | |
| Weight | 22 g | 38 g | 28 g | 30 g |
| Mounting | | Mount directly on PCB via through hole connection pins | | |
| Isolation voltage | | 5 kV / 50 Hz / min. | | |
| Aperture size | 6.5 x 13 mm | 10.2 x 26 mm | 7 x 16 mm | 10.5 x 20.6 mm |

Note: Due to continuous process improvement, specifications are subject to change without notice