

Current sensors

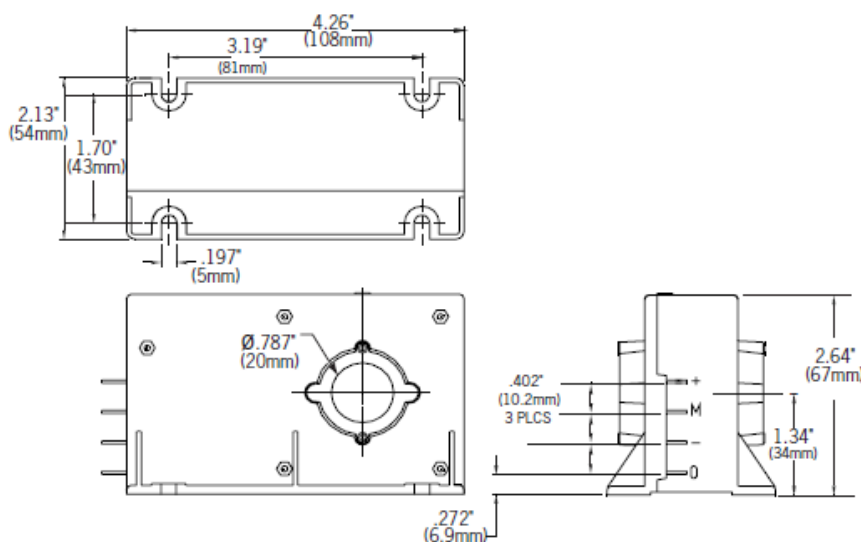
CLSM- 200/300 series



The CLSM models are closed loop Hall effect current sensors that accurately measure DC and AC currents and provide electrical isolation between the current carrying conductor and the output of the sensor.

CLSM-300

Mechanical Dimensions



Features

- Noncontact measurement of high current
- High overload capacity
- Fast response
- High accuracy
- Measure AC, DC, and pulse currents

Applications

- Variable speed motors
- Welding equipment
- Power supply equipment
- Measure and control system
- Over current protection
- Protection of power semiconductors

Contact

OECO
 4607 SE International Way
 Milwaukie, OR 97222
 USA

Tel: +1 (503) 659-5999

www.meggitt.com

www.fwbell.com

www.oeco.com



Current sensors

CLSM- 200/300 series

Specifications

Model:	CLSM-200LA	CLSM-300
Nominal current	200 A	300 A
Current range	0 to 250 A	0 to 400 A
Nominal output current	100 mA	150 mA
Turns ratio	2000/1	
Measuring resistance	0 to 20 Ω	
Overall accuracy at 25 °C	$\pm 0.5\%$	
Supply voltage	15 to 18 V DC	
Current consumption	15 mA + output current	
Zero current offset at 25 °C	< 0.2 mA	
Offset current temperature drift	< 0.3 mA	
Linearity	>0.1%	
Response time	Better than 1 μ s	
Frequency range	DC to 150 kHz	
Operating temperature	-40 to 85 °C	-25 to 85 °C
Storage temperature	-40 to 90 °C	-40 to 100 °C
Package	Flame retardant plastic case	
Weight	38 g	223 g
Mounting	Panel mount	
Isolation voltage	5 kV / 50 Hz / min.	
Aperture size	10.2 x 20.2 mm	Diameter = 20mm

Note: Due to continuous process improvement, specifications are subject to change without notice